

OFF THE SHELF CLIPS

15 Fasteners



No Tools Required



5 Minutes



NIFCO
WOWING THE WORLD

INFORMATION GUIDE



WWW.NIFCOUSA.COM

NIFCO



ONLINE SHOWROOM



STAY IN THE KNOW

by following us



NIFCO GROUP



NIF-TRUCK

NIF-TRUCK

NIF-TRUCK




nifcousa.com/niftruck

Check for
Capability



Install Push Lifter into fuel chamber by lining up the clips to the relief cuts.

Push down the Push Push Latch until the fastener bottom out and  click









CONTACT US
FOR A
QUOTE



**SILENT
PUSH LIFTER**

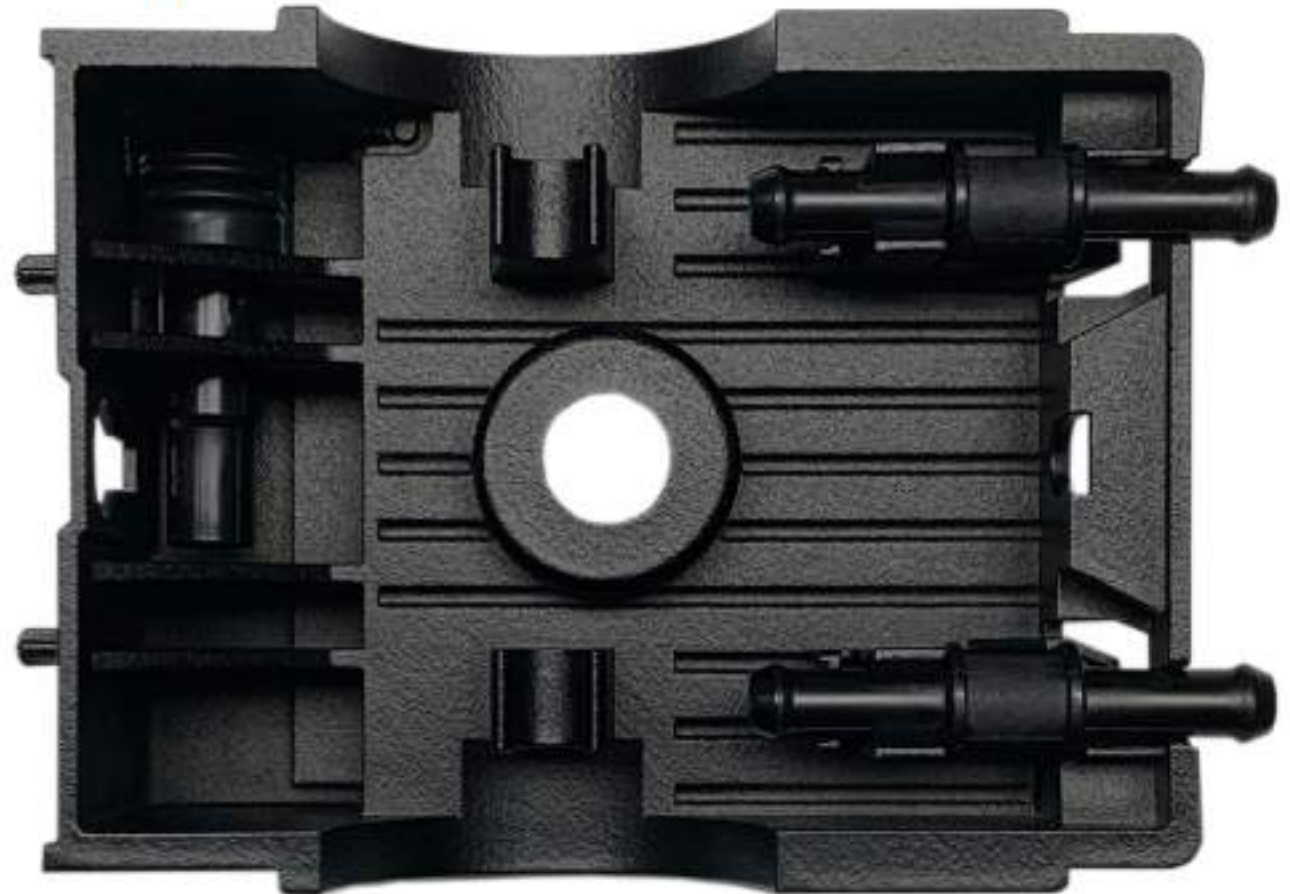


Slide the hinge pins on the fuel door into the right side of the fuel chamber - push until snap 

 +  Close fuel door by pushing on the 

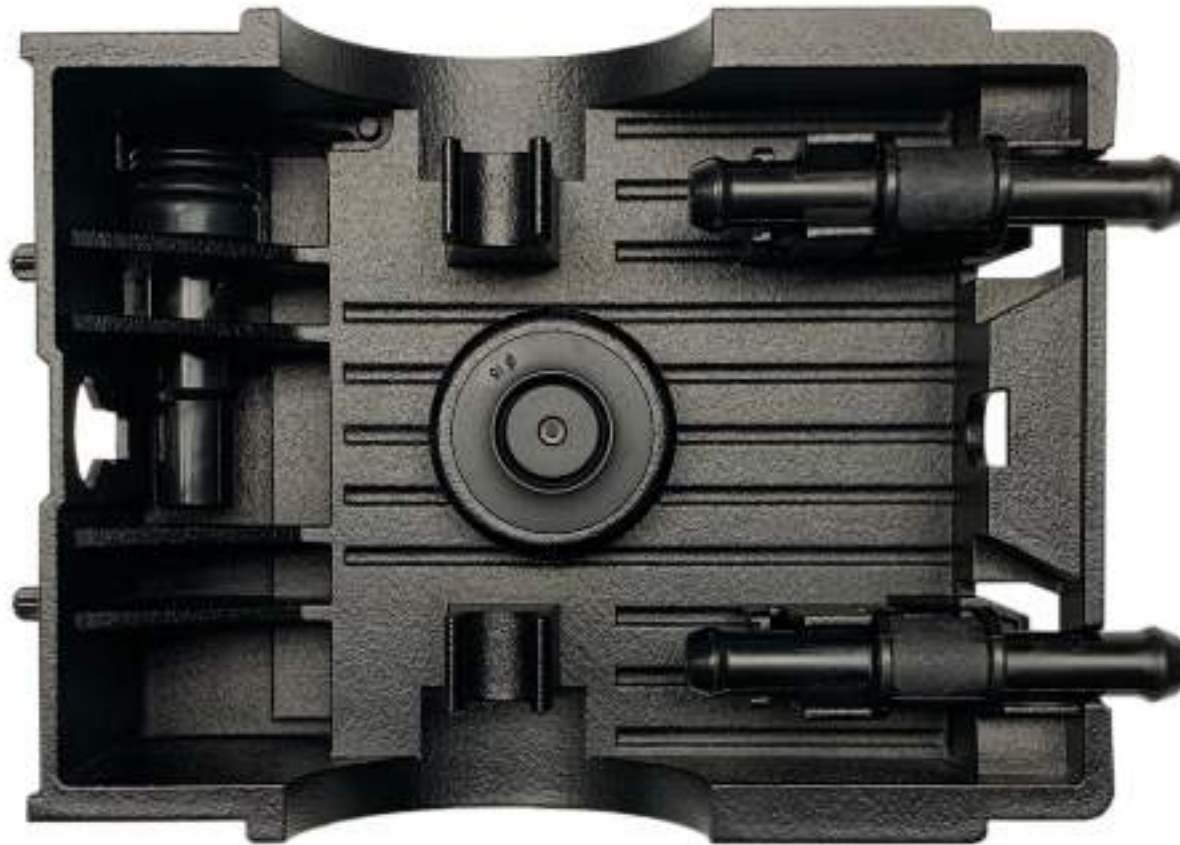


Snap the Joint Tubes
into the C clamps





Nifco Hole Plug are ideal for water sealing manufacturing holes in panels. Often located in the doors



Install w-prong. W-prong clips are an excellent design for low ergonomic install while retaining a high retention force. The clip is design to be preeminently fixture. To remove on Nif-Truck take a pair of needle nose pliers




Apply accent stickers

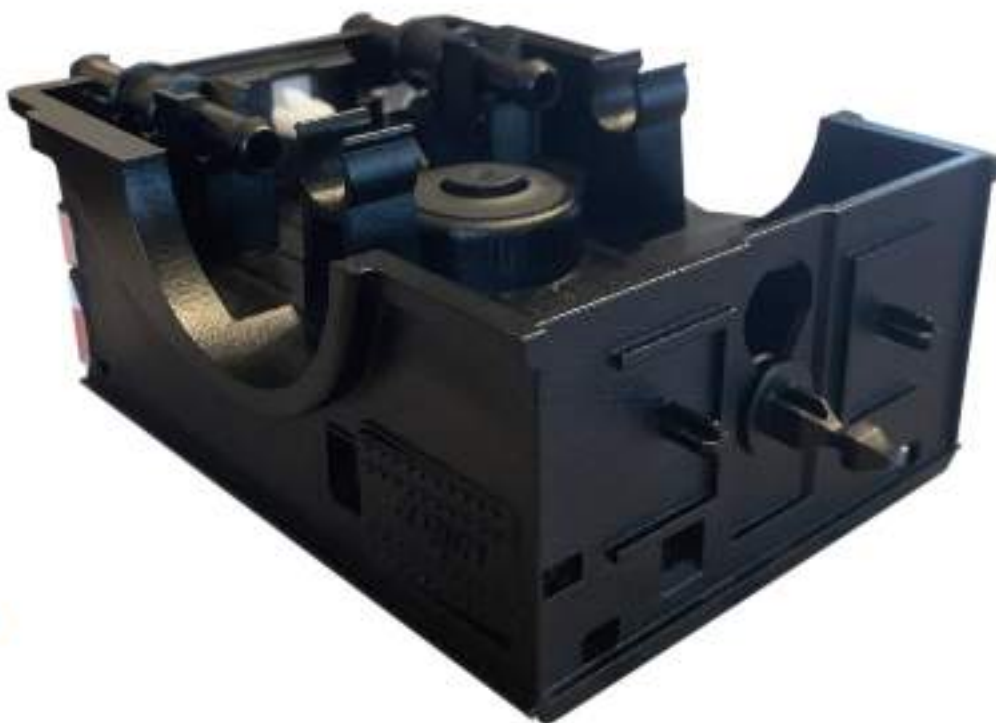




Locate the two umbrellas at the head of the fastener.
Insert the striker into the body at the front of the bed.

Push down with thumb into the open doghouse until you hear the snap 

If the clip does not slide down, rotate 90°

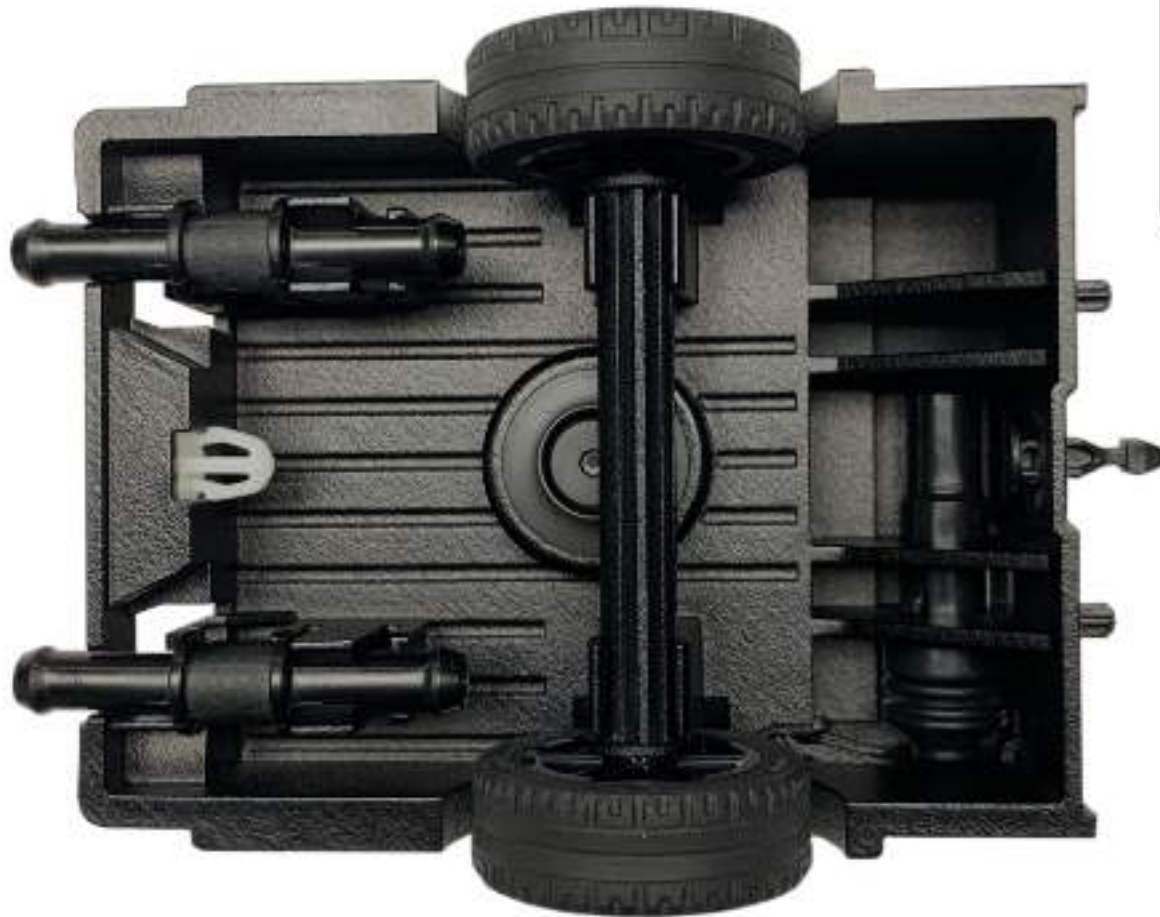


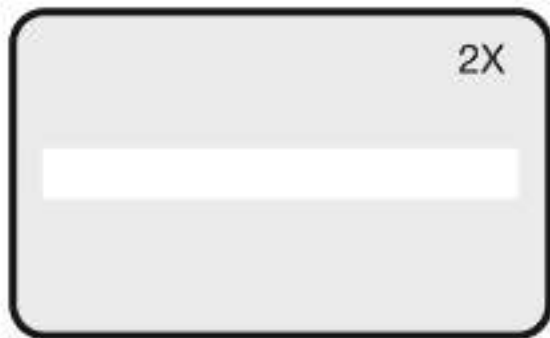


Inside
Axel Attachment



Outside





Apply pin
strip accent
stickers





Apply pin
strip accent
stickers





Install Push Push Latch by lining up the chamfer edge

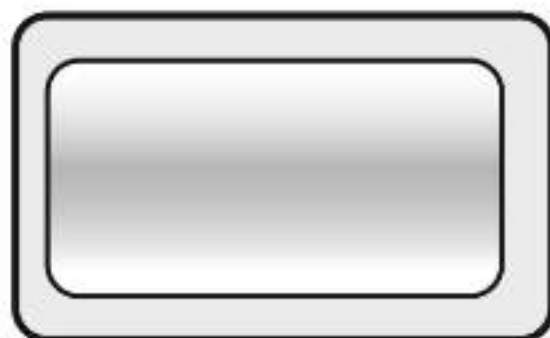


Popular OEM product for latching sunglass holder on the roof console and flush cup holders

Install bottom section of door first and
glide the top hinge into place



Close the door and push to latch shut
to door using Nifco Push Latch



Apply accent
stickers



Install bottom leg of damper first.

Install second leg by pushing down and in on the body of the damper or press thumb on damper and squeeze



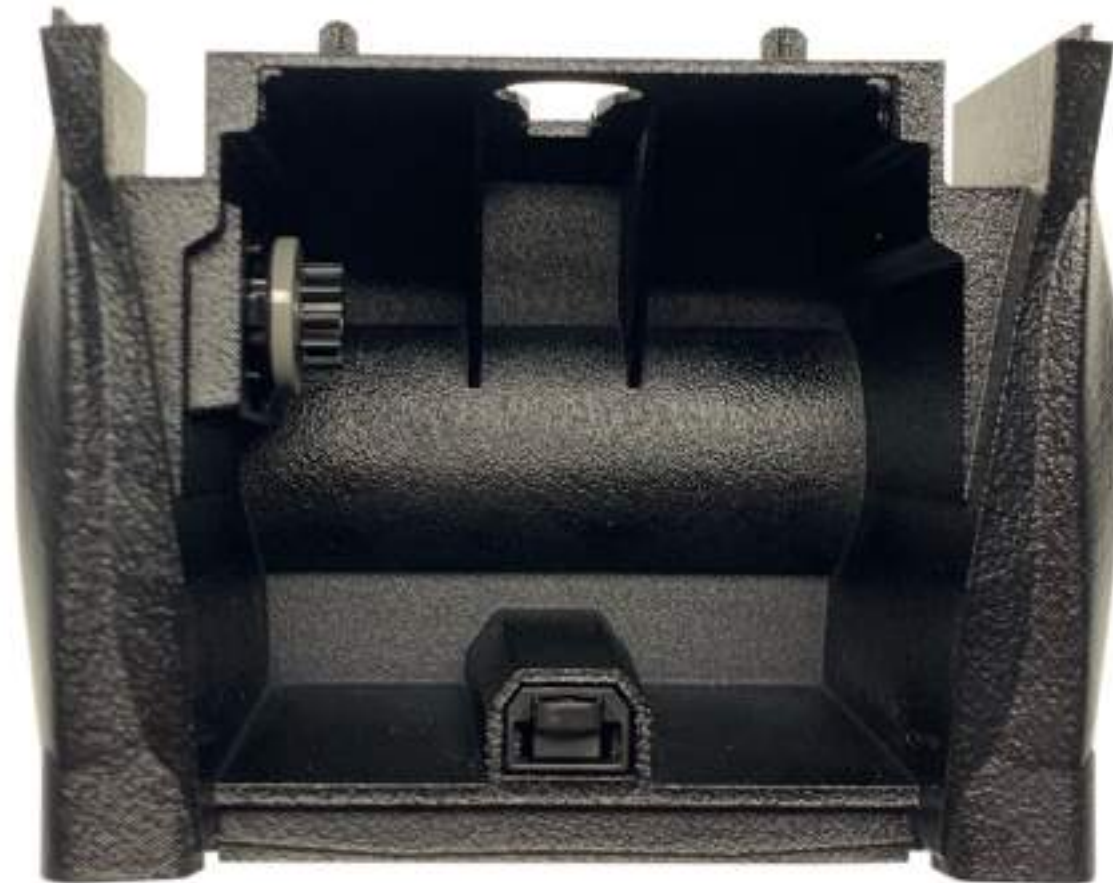
Dampers are design to have motion control for a luxury user friendly experience when open compartments of a vehicle such as a glove box.

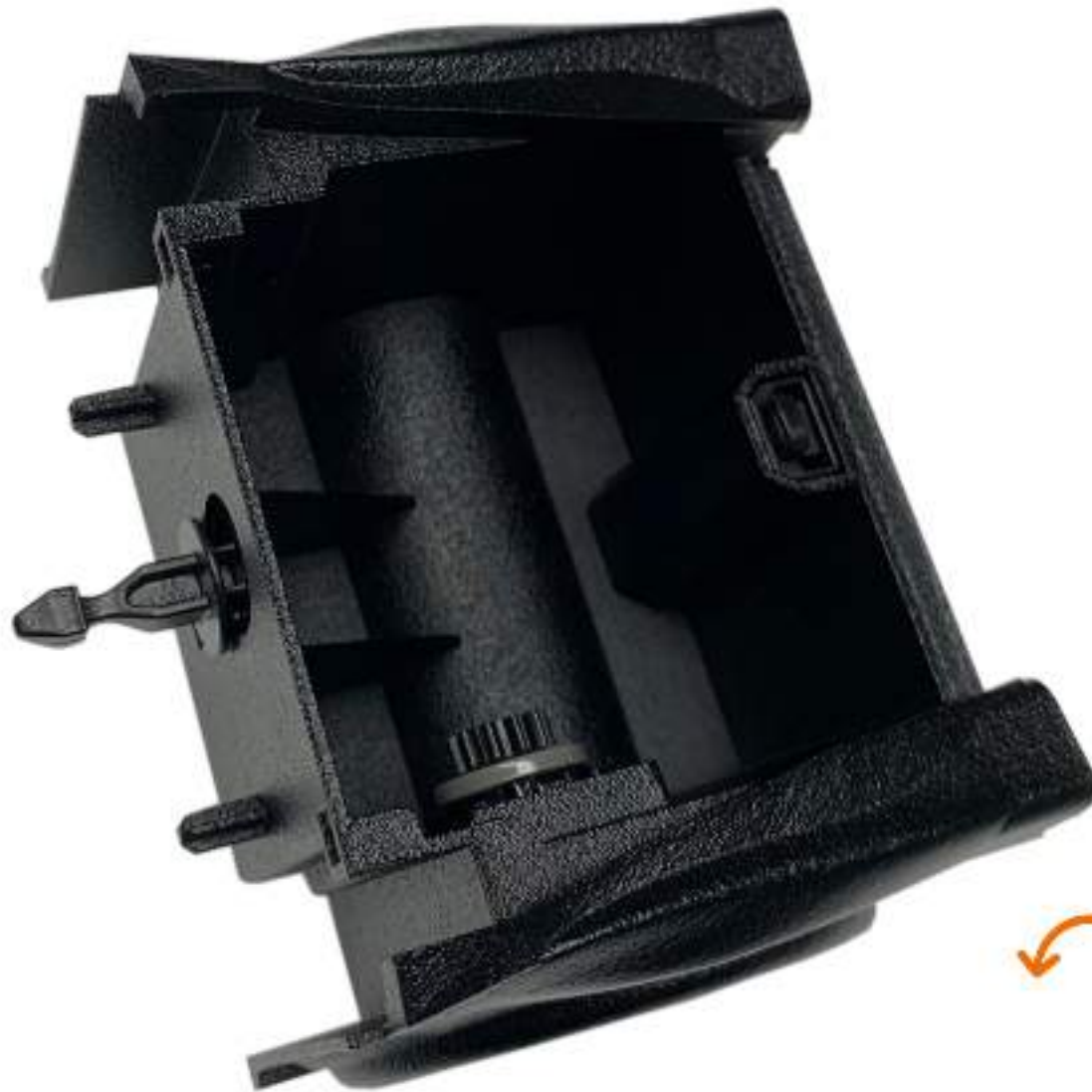


Install silent Push
Push Latch by lining
up the chamfer edge



Nifco has multiple
different size of Push
Push Latches silent
and clicking noise
attachment





Locate the two sections at the head of the fastener.

Insert the striker into body at the front of the bed - Push down into the clip snaps in



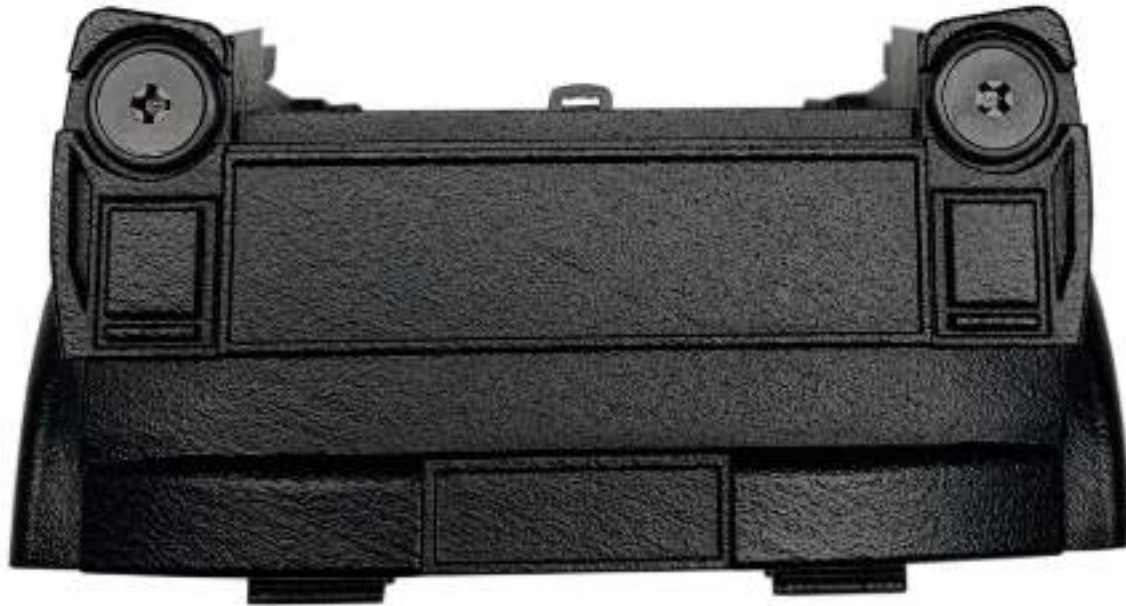
If the clip does not slide down, rotate 90°



This clip is a quick thumb push install with a high retention removal force. Easily remove with a Phillips head screwdriver.



Apply accent stickers





The springs will allow the hood to open once the hood is push down and de-latched from the Push Push Latch. The gear rack will engage with the damper to allow a control motion



Locate the pin mating hole in the back on the left and right side. Start by having the springs sit flush with the back wall. Slowly rotate the hood forward and install the passenger side first. Once both pin are secure into the mating hole, close the hood.





Inside
Axel Attachment



Outside







WE
WANT
FEEDBACK





2 x
15249



3 x
16788



2 x
19306



2 x
Part Number



1 x
23895P



1 x
13456



1 x
Part Number



1 x
16709



2 x
11074

Request a
Fastener
Sample Box

INTERIOR

EXTERIOR

ADAS

